



SPINNING



SOCIALIZING

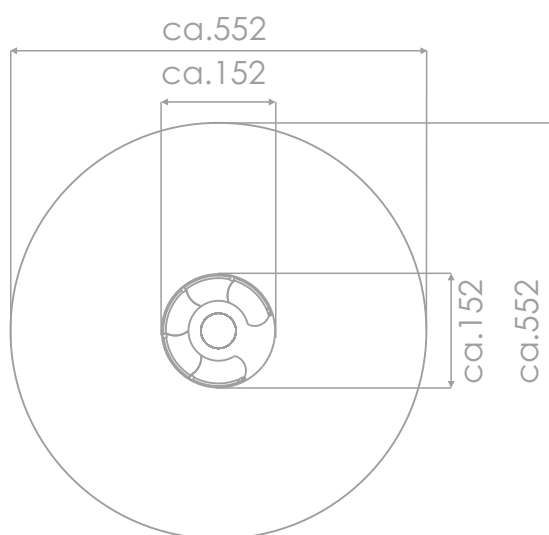
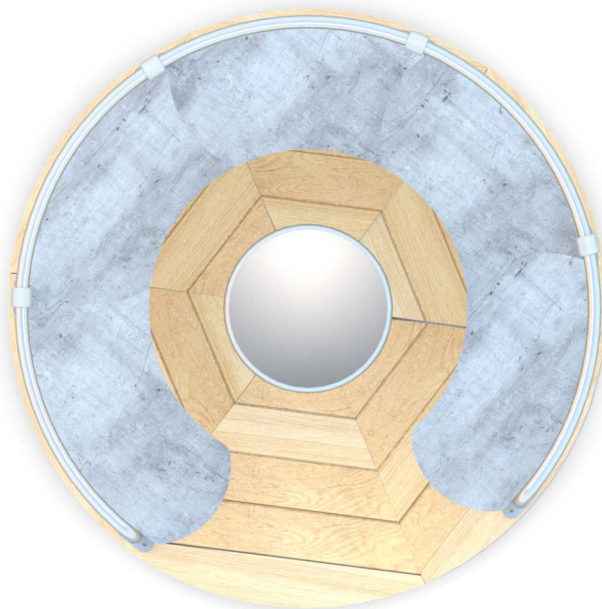


INFORMATION ABOUT THE PRODUCT

Dimensions	ca. 152 x 152 cm
Safety zone	ca. 552 x 552 cm
Overall height	ca. 69 cm
Free fall height	ca. 69 cm
Amount of users	5 persons
Product complies with EN 1176-1:2017-12	YES
Availability of spare parts	YES
Age range	3-12
The biggest element	152 cm
The heaviest element	150 kg
According to EN 1176-1:2017-12 norm, the product requires applying a safety surface according to the product's free fall height.	

Visualisation is for reference only,
actual appearance may vary.





SCALE 1:100

MATERIALS:

NATURAL ROBINIA WOOD



ELEMENTS
CONSTRUCTION
MADE OF STAINLESS STEEL
ASISI 304



PLATES OF THE WALLS
AND PLATFORMS MADE
OF 13 MM HPL

